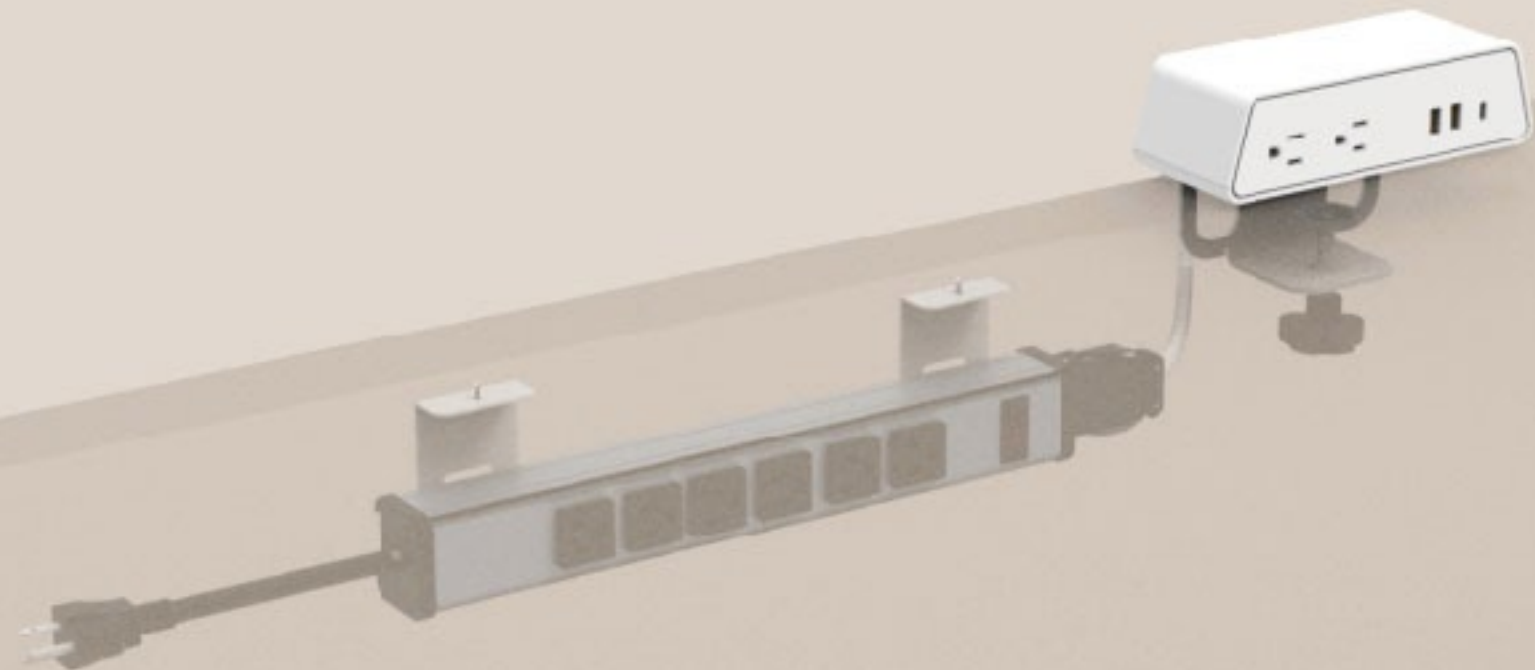


EXPERIENCED IN HIGH-TECH ELECTRICAL SOLUTIONS.



omni

Jiangsu Omni Industrial Co., Ltd.
ADDRESS: No.9 YinBai Road, Hanjiang Industrial Park, Yangzhou, Jiangsu, China
WEBSITE: www.omnielectric.cn
EMAIL: milly@omnielectric.cn
TEL: +86-13952796137



LinkedIn



Alibaba.com

omni

ABOUT US.



Omni (Jiangsu Omni Industrial Co., Ltd.) has been a leading manufacturer in the office furniture industry since 2004. Our extensive product portfolio includes seating, desks and workstations, tables, panel-based/non-panel-based systems, storage, office accessories, power solutions, and interactive conferencing solutions.

Our standout strength lies in our ability to create integrated workspace solutions that incorporate power solutions where needed, recognizing the increasing reliance on technology in today's digital age. We understand the importance of easy access to power and connectivity, which is why our innovative workspace solutions ensure that individuals can stay charged and connected, whether they are working in an office, at home, or in a third place.

Omni's commercial power socket products comply with the safety standards of all mainstream markets in North America, Europe, Australia, and meet the common requirements for 3-line series and 8-line series in work scenarios.

The high standard of safety certification is achieved by Omni through "proprietary technology" and must exceed the standard UL testing criteria. This is the main reason why Omni's commercial power sockets have a higher quality compared to conventional products.

Diverse Range of Office Furniture
+ Reliable Power Solutions
= Empowering Workspaces of the Future



POWER UNITS



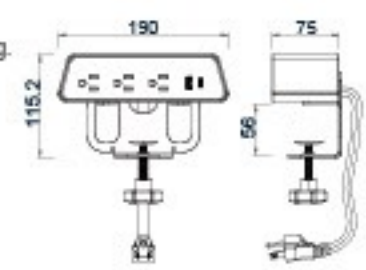
iPanda



OME002.3A1U1C

Qi UL FC RoHS Prop65

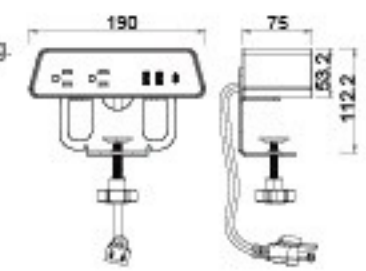
AC Outlets 3xNEMA 5-15R
 Input AC 90-240V, 50/60HZ, 1.5A max
 Cord Length 6ft long 14AWG power cord, NEMA 5-15P plug.
 Wireless Charge DC9V, 1.12-1.67A
 65W USB supports OC2.0 and OC3.0 compatible.
 Safety UL962A, CUL962A, FCC part 15 Subpart B
 Class B, CAN ICES-003 (B)/NMB-3 (B),
 REACH, RoHS, Cal Prop 65, IST3A
 Package 1pc/inner box; 20pcs/ctn



OME001.2A2U1C

Qi UL FC RoHS Prop65

AC Outlets 2xNEMA 5-15R
 Input AC 90-240V, 50/60HZ, 1.5A max
 Cord Length 6ft long 14AWG power cord, NEMA 5-15P plug.
 Wireless Charge DC9V, 1.12-1.67A
 65W USB supports OC2.0 and OC3.0 compatible.
 Safety UL962A, CUL962A, FCC part 15 Subpart B
 Class B, CAN ICES-003 (B)/NMB-3 (B),
 REACH, RoHS, Cal Prop 65, IST3A
 Package 1pc/inner box; 20pcs/ctn



On Desk



Oval



OME005.3A1U1C.1

AC Outlets	3xNEMA 5-15R
USB Ports	1xUSB-A, 1xUSB-C-12W
Cord Length	5'8" (172.7cm) Input
Voltage	120VAC, 60Hz, 15A Max
Safety	UL962A, CUL962A
Package	1pc/Inner box



OME005.3A1U1C.2



OME005.3A1U1C.3



OME005.3A1U1C.4



OME005.3A1U1C.5



On Desk



Under Desk



Embedded



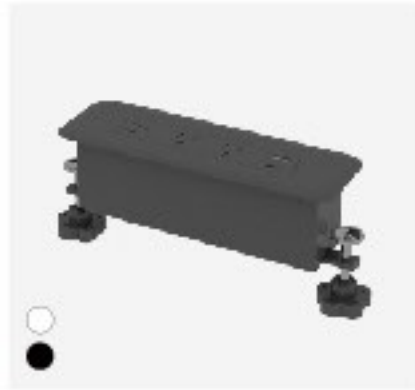
Nova



OME003.3A1U1C.3



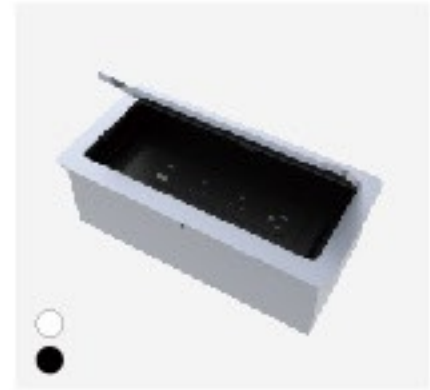
AC Outlets	3xNEMA 5-15R
USB Ports	1xUSB-A, 1xUSB-C-12W
Cord Length	5'8" (172.7cm) Input
Voltage	120VAC, 60Hz, 15A Max
Safety	UL962A, CUL962A
Package	1pc/Inner box



OME003.3A1U1C.1



OME003.3A1U1C.4



OME003.3A1U1C.5



Embedded





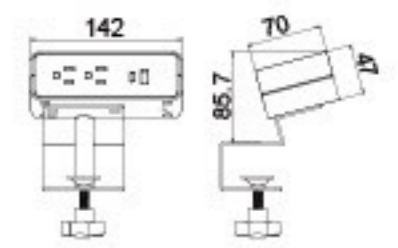
Create



OM-2A1U1C



AC Outlets 2xNEMA 5-15R
USB Ports 1xUSB-A, 1xUSB-C
Cord Length 5'8" (172.7cm) Input
Voltage 120VAC, 60Hz, (12A max)
Safety UL962A, CUL962A, FCC part 15 Subpart B Class B, CAN ICES-003 (B), RoHS, Cal Prop 65
Package 1pc/ Inner box
USB-C 65W Max



OM-2A2U



OM-2A



OM-1A2U



On Desk



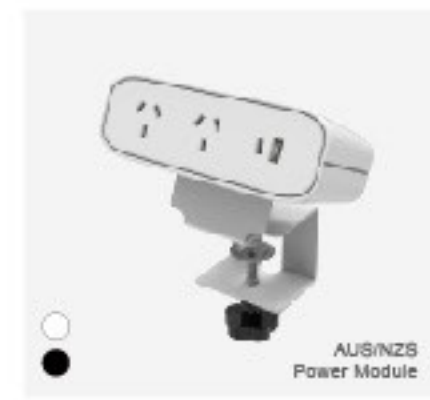
Under Desk



Embedded

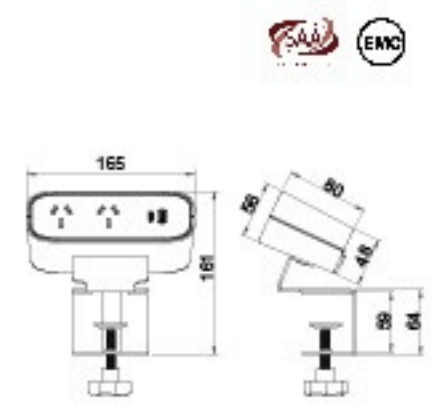


Hi.Triones



OME015

AC Outlets 2 AS/NZS Outlets
 USB Ports 1xUSB-A, 1xUSB-C
 Cord Length 5'8" (172.7cm) Input
 Voltage D06 10A 250V
 Type-C 5V-20V, 65W Max



OME021 



OME025 



OME011 



On Desk



Embedded

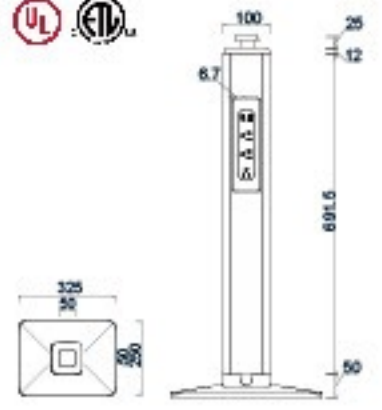


Power Linker



PBK-1WAY

- Single Side
- AC Outlets 3xNEMA 5-12R
- USB Ports 1xUSB-A, 1xUSB-C
- Cord Length 10' (300cm) Input
- Voltage 120VAC, 60Hz (12A max)
- Safety Power Socket UL962A, CUL962A
- Package 1pc/Inner box



PS07



PS08



PS05



PS02



PS03



PS12



PS13

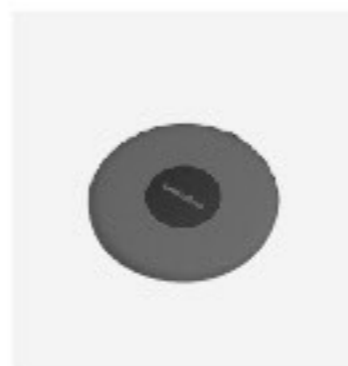
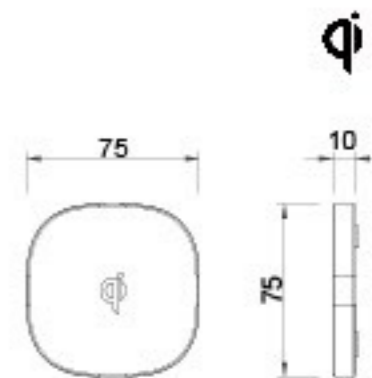
Replaceable





OME009

Main Material ABS+PC
Product Size 75*75*10mm
Power 15W



OME-HD07



OME-335D



OME-335ED



OME-HD36



OME-335SC



OME-HQ01



OM-HM33



OM-HL09



OM-HD15M



OME-HM16

Wireless Charger



**DAISY-CHAIN
SOLUTIONS**

ENJOY FLEXIBLE POWER SUPPLY SOLUTIONS.

- All power sockets are connected to wall or floor outlets. The unit can provide 4-8 AC sockets underneath the desktop, along with 2 additional AC sockets and USB fast charging ports on the desktop surface.
- The C port supports a maximum power output of 65W and the A port supports a maximum of 18W, meeting the power needs of various smart devices.
- The entire X-linker chain series is equipped with tamper-resistant (TR) sockets for safer electrical usage, suitable for indoor applications in all scenarios. The 125V 15A overload protector ensures worry-free device usage.
- By choosing the R model and this series, the desktop sockets are also equipped with a 120V 12A overload protector, providing double protection and independent operation for a more rational and worry-free power allocation.



X.Linker

Power Solution for Height-Adjustable Desks



X.Linker

Power Solution for Height-Adjustable Desks



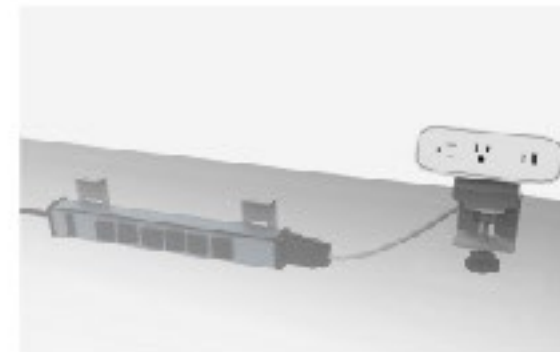
US



AUS/NZS

MAIN COMPONENTS

Power Modular 65W



AC Outlets	2 US Outlets
USB Ports	1xUSB-A, 1xUSB-C
Cord Length	5'8" (172.7cm)
Input	100-240V 50/60Hz 0.8A Max
USB-C	5V3A, 9V3A, 12V3A, 15V3A, 20V3.25A
PPS	5-11V 3A
USB-A	5V3A, 9V2A, 12V1.5A
USB-A+C	USB-C 5V3A, 9V3A, 12V3A, 15V3A, 20V2.25A, USB-A5V3A, 65W Max
Safety door	



iPanda



Hi.Triones



Create

Power Strip Under Surface

- Installation 4~6-15A, 125VAC receptacle
- 15A overload protector
- Tamper-resistant (TR) receptacle
- Cord length: 6'~10'8"
- Certification:

OME022-4

OME022-5

OME022-6

X.Linker Pro is the market's first UL-certified 20 Amp connection system, elegantly supporting more desktop or workstation components.

Simply connect multiple power units to the X.Linker Pro connection system, and all devices can be powered by a single outlet. The under-desk system provides a new, versatile platform for training and office spaces.

PRODUCT FEATURES



Applications

- Height-adjustable desks
- Modular employee desks
- Training tables
- Conference tables
- Open and flexible office space

Component Configuration

- Power Input / Main FPDU
- Jumper & Splitter
- FPDU = Furniture Power Distribution Unit
- Certification UL 962A SD Listed and CUL 962 Listed

AC Outlets	2xNEMA 5-15R, TR logo receptacles
USB Ports	1xUSB-A, 1xUSB-C 65W
Cord Length	5'8" (172.7cm) Input
Voltage	120VAC, 60Hz, (12A max)
Safety	     Prop65

Technical Specifications

- Single circuit
- 20 Amp/15 Amp* overcurrent protection, with two options depending on whether a 20Amp outlet is available
- Designed for use with Power FPDU
- No specific connection sequence required
- Unidirectional connection, with anti-misinsertion structure
- Layout options: single-sided or back-to-back connection
- Accommodate up to 12 ports and 8 sockets maximum
- All sockets are tamper-resistant
- Choice of straight-line or coiled jumpers
- Installation hardware included



X.Linker Pro

Power Solution for Workstations



X.Linker Pro

Power Solution for Workstations

COMBINATION MODE

- Create an optimal work environment.
- Reya products are equipped with USB-A and USB-C power as well as standard socket power functions.
- Mobile technology can be powered quickly and safely.



Power Products Power Strips



Power Products with Jumper Solutions

MAIN COMPONENTS



Power Input Main FPDU

- The main power input is equipped with a tamper-resistant outlet and an overcurrent protector.
- Maximum allowable total length is 25 feet.
- Installation method: Surface mounted.



Jumper

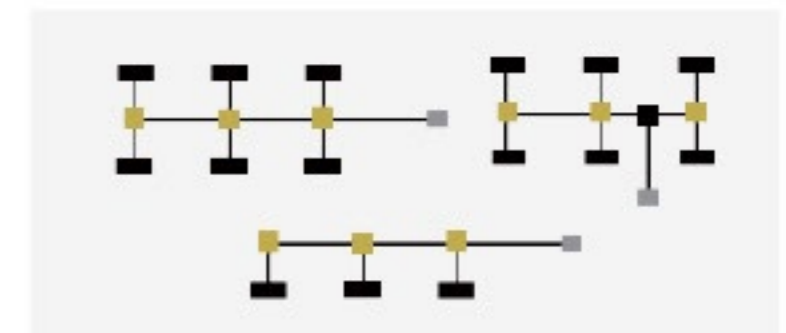
- Up to a total length of 31', you can connect any number of jumpers with no quantity limit.
- Jumper length: 1' minimum to 20' maximum.
- Loop connection: Length of 2' (98" maximum).
- The system allows for a maximum of 3 loop connections and jumpers.



Block

4 ports, 1 input, 3 outputs.

RECOMMEND LAYOUT



The black Reya Power FPDU, yellow splitter, and gray main input line/main FPDU.

IMPORTANT SAFETY INSTRUCTIONS

BEFORE USE

Product is to be used indoors only.

- Inspect thoroughly before installation and use. Do not use if damaged.
 - Do not run cord through doorways or holes in ceilings/walls/floors.
 - Fully insert plug into outlet.
 - Do not remove, bend or modify metal prongs or pins of cord.
 - Do not use excessive force to make connections.
-

DURING USE

- Keep away from water.
 - Do not use when wet.
 - Keep children and pets away from product.
 - Avoid overheating. Uncoil cord and do not cover it with any material.
 - Do not drive, drag or place objects over cord.
 - Do not walk on cord.
 - Do not plug an extension cord or power strip into product.
 - Do not plug product into an extension cord or adapter.
 - Do not plug an electrical table into product.
 - Do not put any metal objects in outlet to avoid getting shocked/hurt.
-

AFTER USE

- Grasp plug to remove from outlet. Do not unplug by pulling on cord.
- Always store product indoors.

